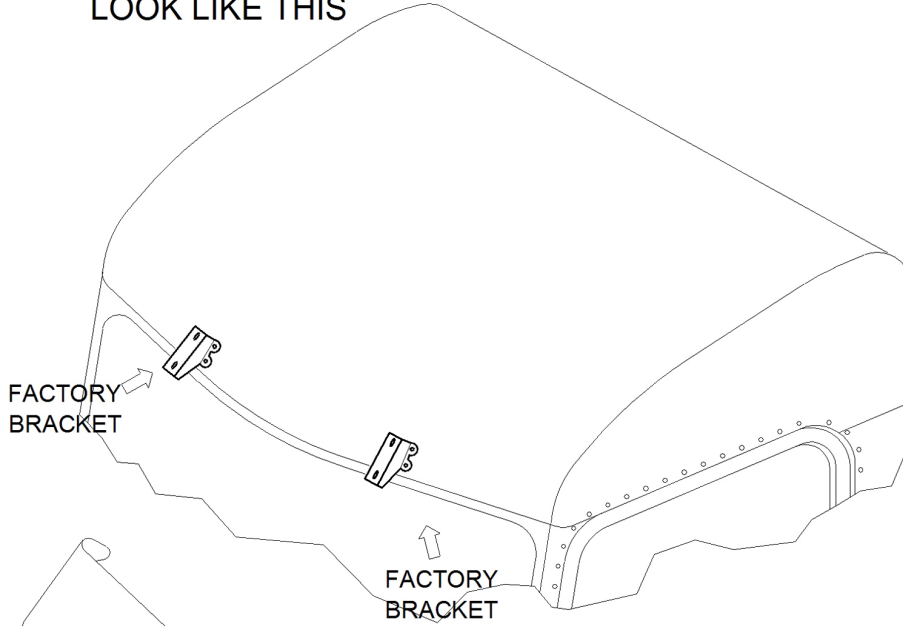


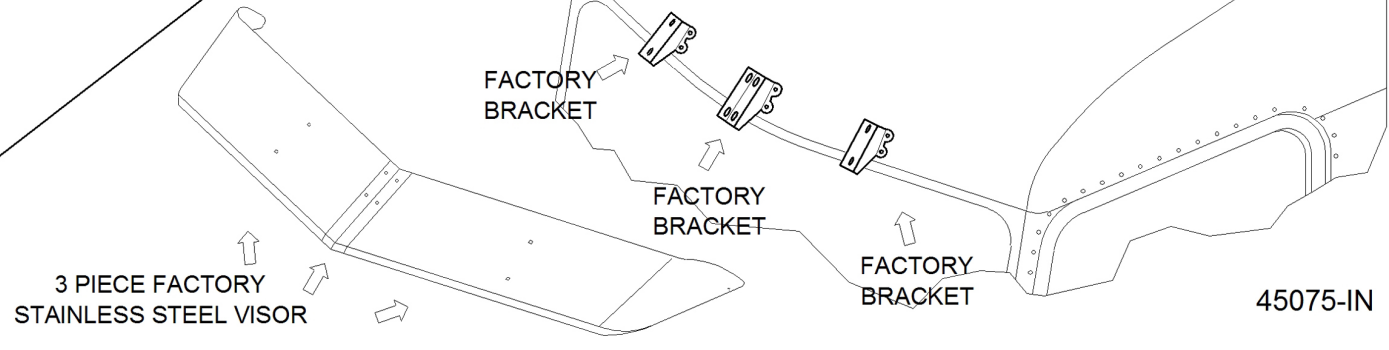
FITS 1 AND 2 PC WINDSHIELD WITH FACTORY INSTALLED
1 PIECE VISOR WITH 2 BRACKETS
AND CAST STYLE MIRRORS

YOUR TRUCK SHOULD
LOOK LIKE THIS



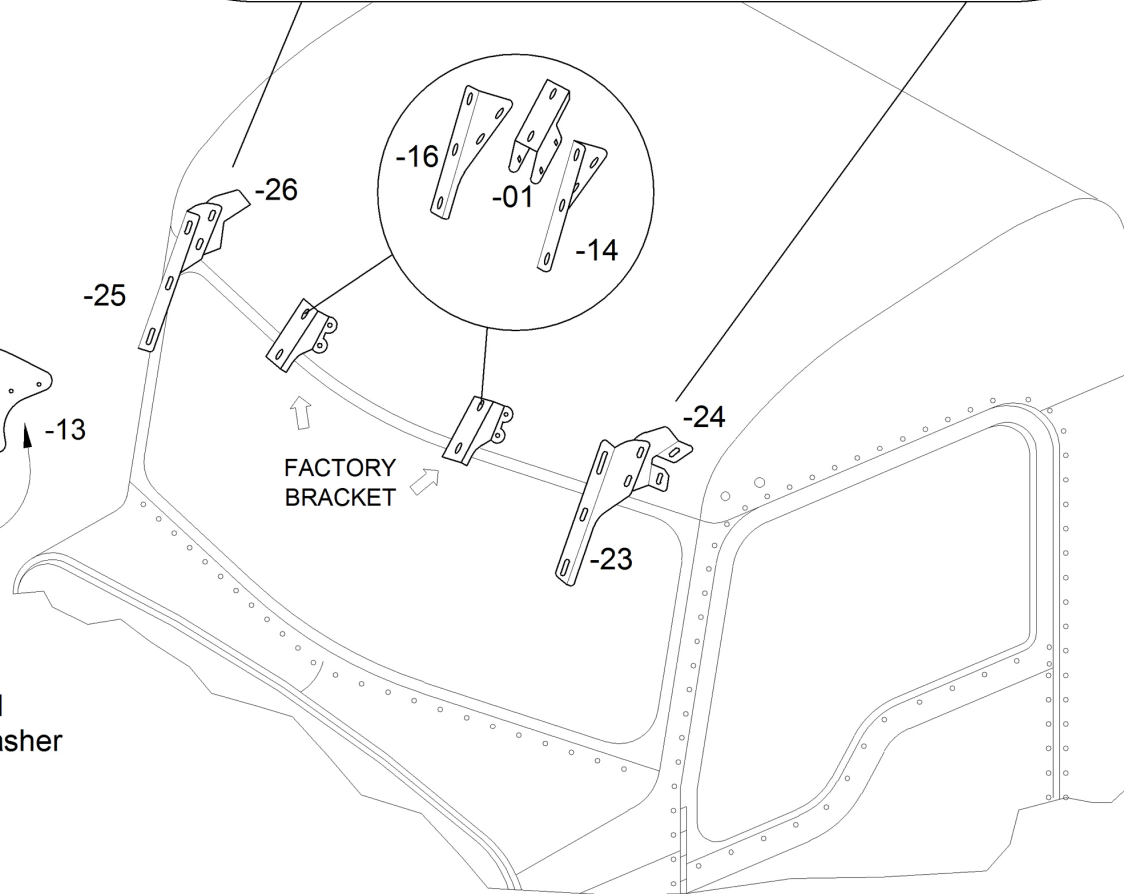
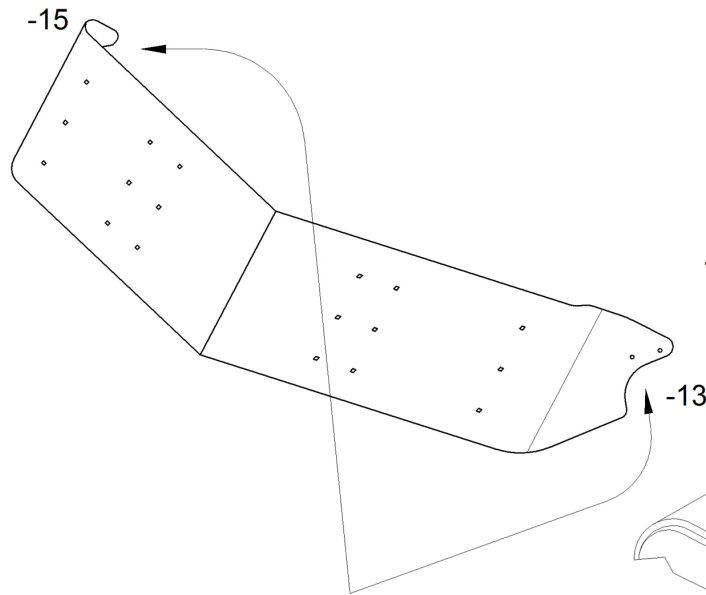
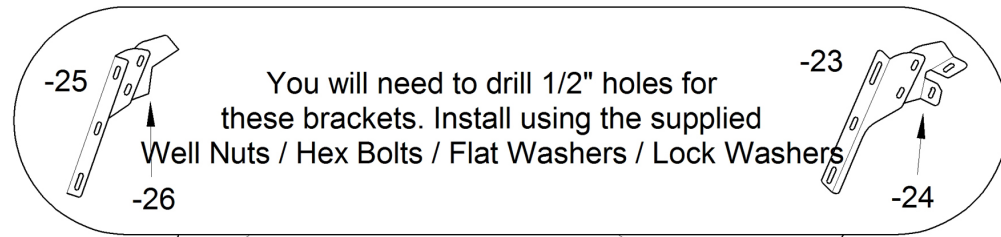
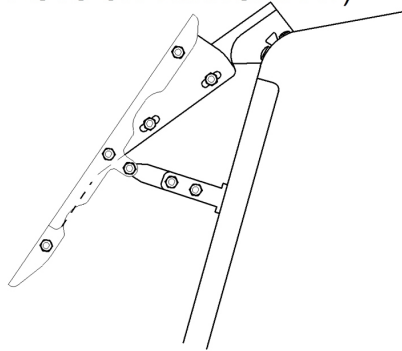
1 PIECE FACTORY
STAINLESS STEEL VISOR

DOES NOT FIT
1 AND 2 PC WINDSHIELD
WITH FACTORY INSTALLED
3 PIECE VISOR WITH 3 BRACKETS



13" DROP VISOR FOR 1 & 2 PIECE CURVED WINDSHIELD KENWORTH 2007 & NEWER.
REPLACES FACTORY 1 PIECE STAINLESS STEEL VISOR WITH 2 FACTORY BRACKETS.
AND CAST STYLE MIRROR BRACKETS (NOT STAINLESS TUBULAR)
DOES NOT FIT TRUCKS WITH 3 FACTORY BRACKETS (SEE DIAGRAM ON REVERSE SIDE)

SIDE VIEW OF STABILIZER
(RESTS ON WINDSHIELD)



One additional 1/2" holes will need
to be drilled for each side. Use supplied
Well Nut / Hex Bolt / Flat Washer / Lock Washer