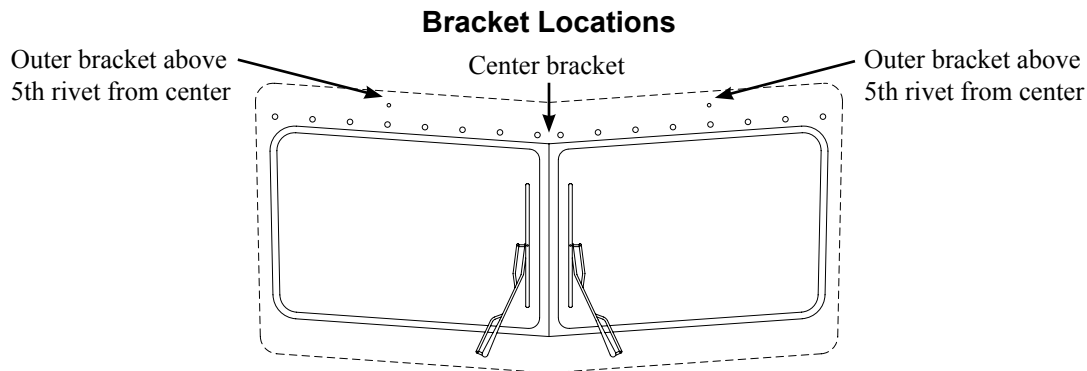


12" Drop Visor & Monster Drop Bow-Tie Visor for Kenworth Flat Windshield, 1985-1998

Part numbers 45010, 45010L, 45011

Before beginning the installation of your new RoadWorks® visor please check your truck's mounting brackets to see if they match the bracket locations shown in the diagram below. If your mounting brackets do not match the diagram, then you do not have the correct visor. Call RoadWorks® Manufacturing, Inc. at 1-800-448-8741 for assistance in determining the correct part number. Please have the model, year, and bracket locations of your truck ready when calling.



PLEASE READ THE DIRECTIONS COMPLETELY BEFORE BEGINNING.

Once you have determined that you have the proper replacement visor for your truck proceed with the removal of your old visor and brackets. Set the hardware aside, some of it will be used to install the replacement visor.

Installation

1. Remove the rivets above the windshield at the 3rd, 5th, & 7th locations from the center (see Diagram #3). The 5th rivet on each side will be located under the factory bracket hole. Drill out the holes to the cab to ½" diameter, being careful not to damage the inside of the headliner. Cover the windshield to protect it from grinding debris.
2. Install the new brackets using the hardware provided with the bracket (see Diagram #5 for proper placement). The top bolt of the middle bracket on each side, located at the 5th rivet, will reuse the original factory hardware. Each bracket is secured to the cab using two 1¼" hex bolts, flat washers, lock washers, and neoprene well nuts, except for the top bolt of each middle bracket (see Diagram #2 and #4). Do not fully tighten the brackets yet.
3. Install the first visor skin using nine ¾" carriage bolts, flat washers, lock washers, and hex nuts. Do not fully tighten these bolts. Repeat for the other skin. For convenience peel the PVC away from the center joint only.
4. Bolt the sides of the visor to the cab using the factory hardware.
6. Tighten the carriage bolts that hold each visor skin to the brackets (from step 3).
7. Tighten all of the bracket bolts.
8. Peel PVC film from visor skins and brackets. This completes the installation.

12" Drop Visor & Monster Drop Bow-Tie Visor for Kenworth Flat Windshield, 1985-1998

DIAGRAM #1

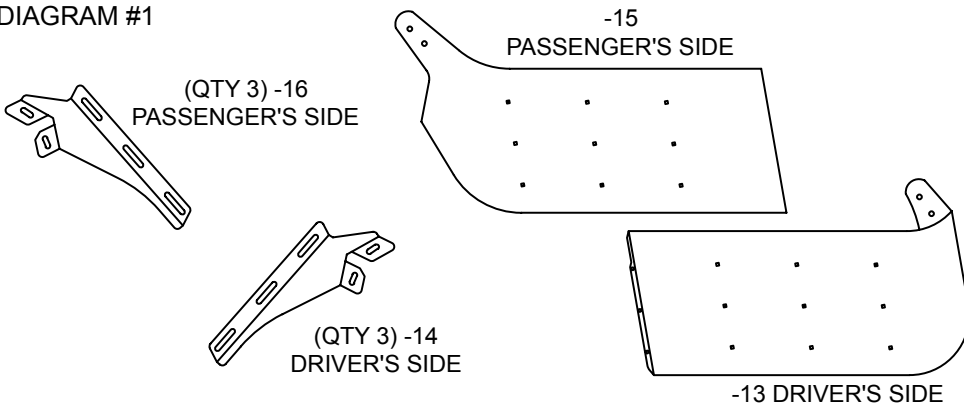


DIAGRAM #2

HARDWARE

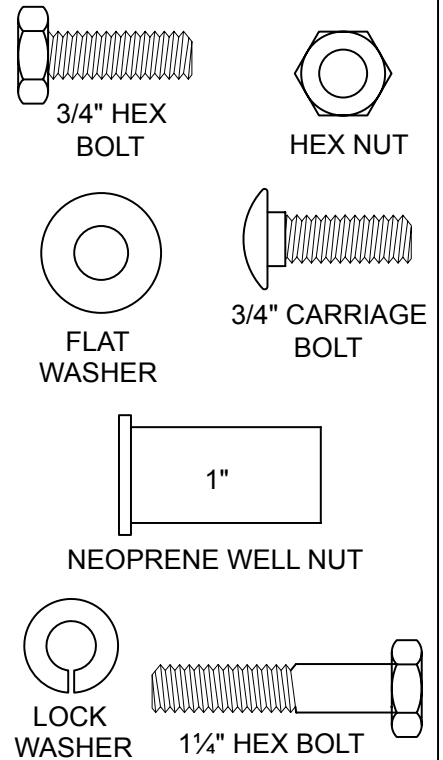
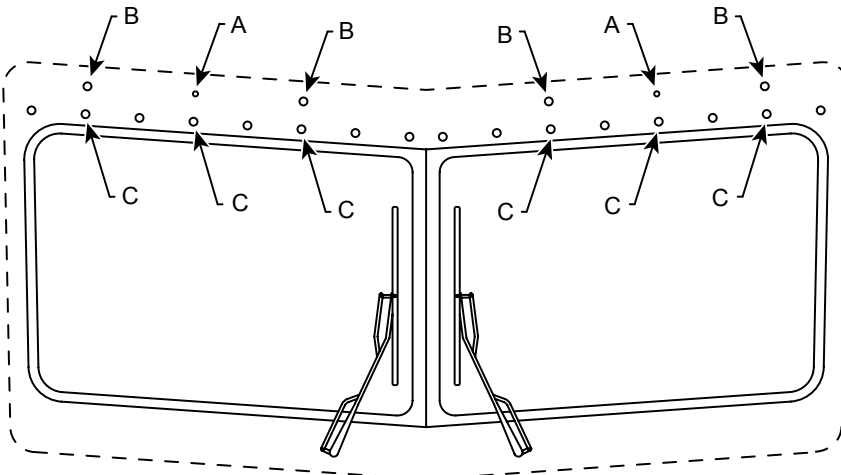


DIAGRAM #3

RIVET LOCATION AND DRILL LOCATIONS



- (A) FACTORY HOLE, REUSE FACTORY BOLTS
- (B) DRILL CAB FOR WELL NUT
- (C) REMOVE RIVET AND DRILL HOLE TO 1/2" FOR BRACKET WELL NUT

DIAGRAM #4

WELL NUT INSTALLATION

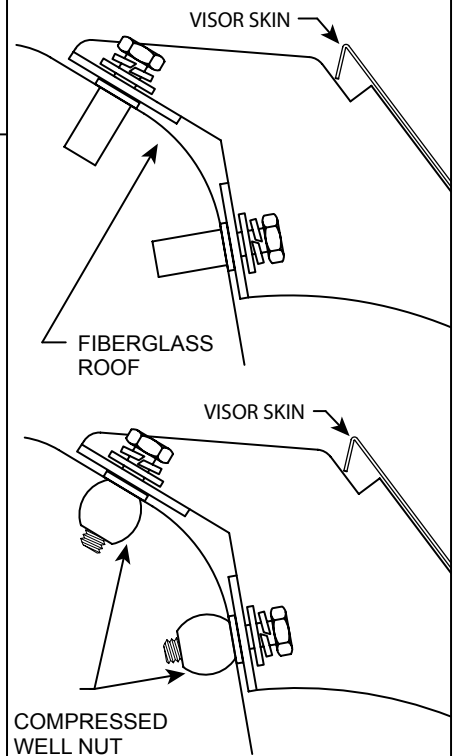


DIAGRAM #5

BRACKET PLACEMENT

